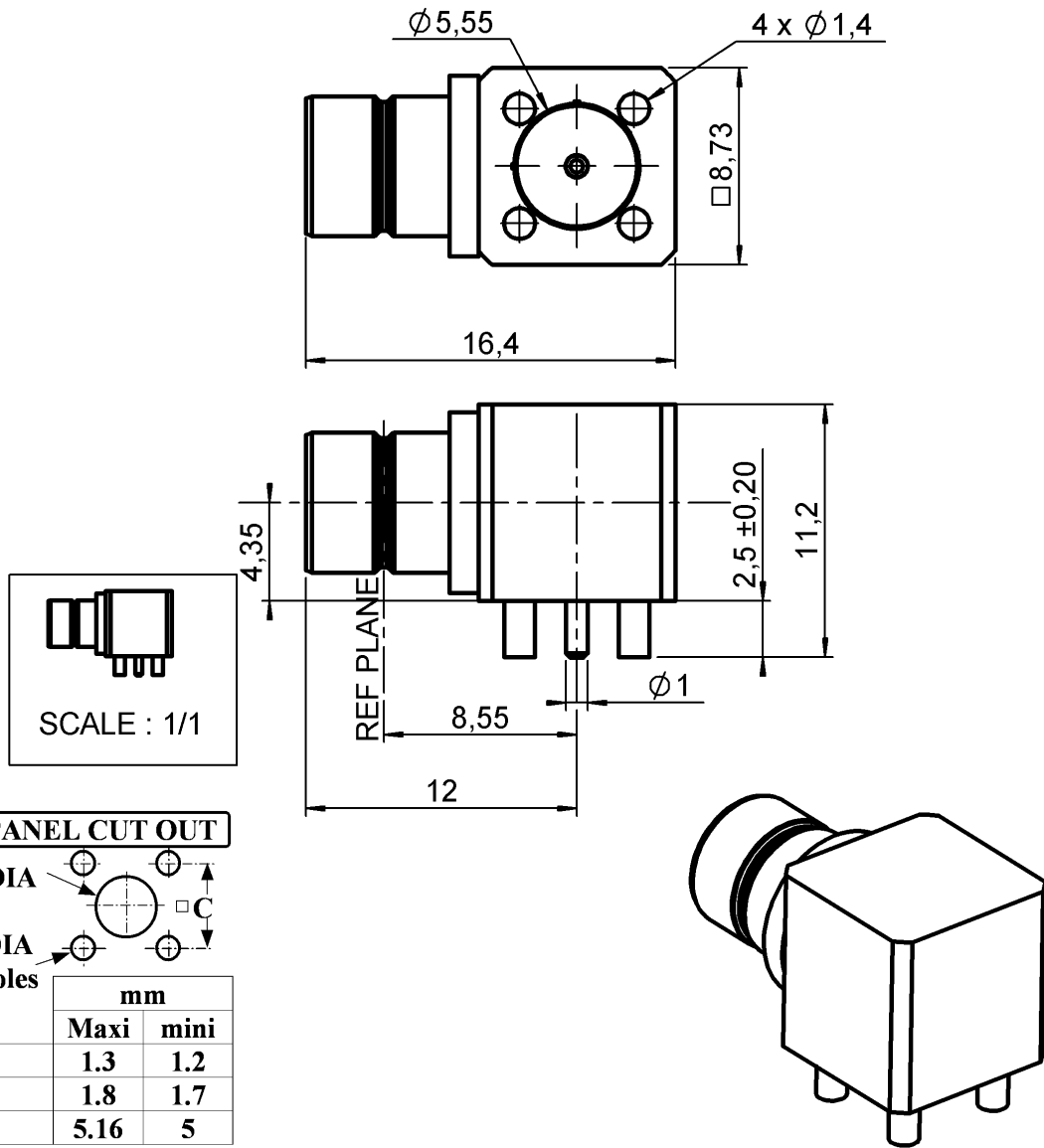


R/A PLUG RECEPTACLE FOR PCB

R214.665.850

SOLDER LEGS - STICK OF 30

Series : SMZ



All dimensions are in mm.

COMPONENTS	MATERIALS	PLATINGS (µm)
BODY	BRASS	GOLD 0.2 OVER NICKEL 2
CENTER CONTACT	BRASS	GOLD 1.3 OVER NICKEL 2
OUTER CONTACT	BRASS	GOLD 0.2 OVER NICKEL 2
INSULATOR	PTFE	
GASKET	-	
OTHERS PARTS	-	
.	-	
.	-	

Issue : 0602 D

In the effort to improve our products, we reserve the right to make changes judged to be necessary.



R/A PLUG RECEPTACLE FOR PCB

R214.665.850

SOLDER LEGS - STICK OF 30

Series : **SMZ**

PACKAGING

SPECIFICATION

Standard	Unit	Other
30	-	Contact us

**Package label 102 01-1003 UEn Rev F
1301-RPT 368 21 Uen/3 Rev.D**

ELECTRICAL CHARACTERISTICS

ENVIRONMENTAL

Impedance		75 Ω
Frequency		0-2.4 GHz
VSWR	1.25 +	0,2000 x F(GHz) Maxi
Insertion loss		0.115 √F(GHz) dB Maxi
RF leakage	- (60 - F(GHz)) dB Maxi
Voltage rating		500 Veff Maxi
Dielectric withstanding voltage		1500 Veff mini
Insulation resistance		500 MΩ mini

Operating temperature	-55/+155 ° C
Hermetic seal	NA Atm.cm3/s
Panel leakage	NA

OTHERS CHARACTERISTICS

Assembly instruction

Others :

MECHANICAL CHARACTERISTICS

Center contact retention		
Axial force – Mating end	10	N mini
Axial force – Opposite end	10	N mini
Torque	NA	N.cm mini
Recommended torque		
Mating	NA	N.cm
Panel nut	NA	N.cm
Mating life	500	Cycles mini
Weight	4,9589	g

Issue : 0602 D

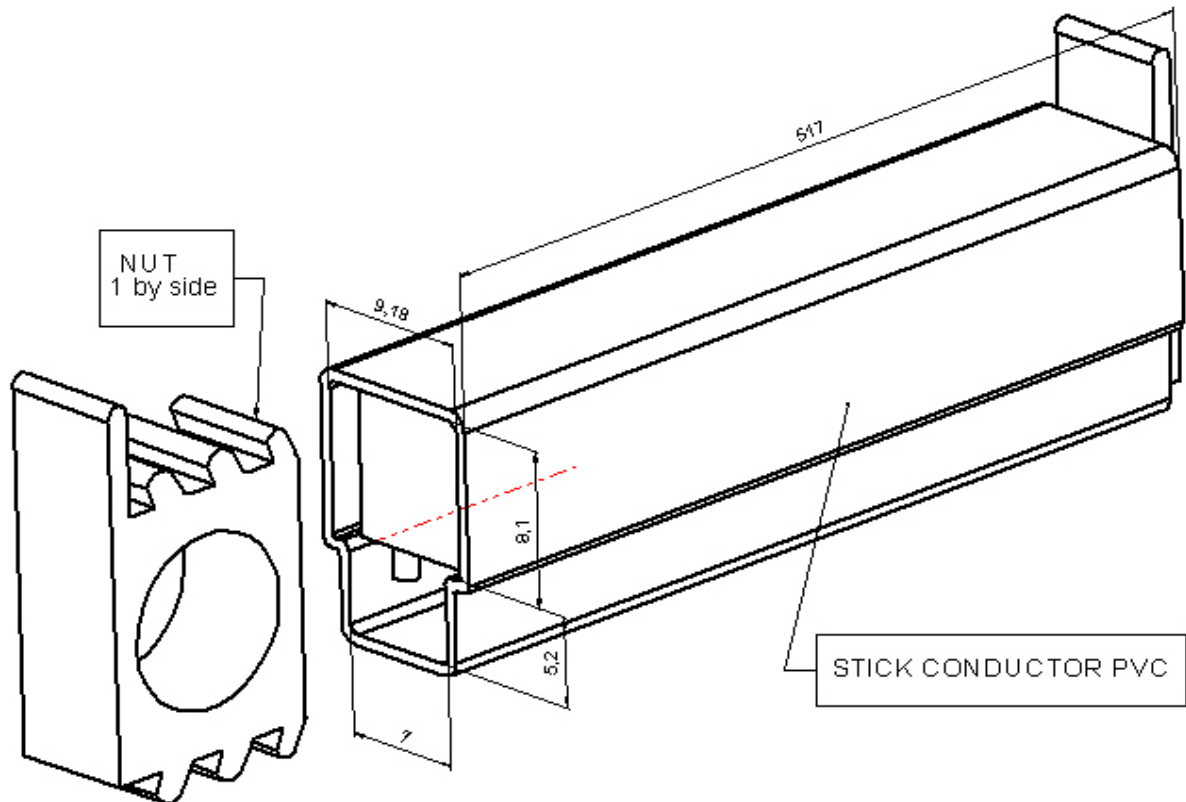
In the effort to improve our products, we reserve the right to make changes judged to be necessary.



R/A PLUG RECEPTACLE FOR PCB
SOLDER LEGS - STICK OF 30

R214.665.850

Series : SMZ



Issue : 0602 D

In the effort to improve our products, we reserve the right to make changes judged to be necessary.

